





CE BEAB Approved  96 dB  IPX4 xxx kg 3000 1/min  
TYP F016 xxx xxx 579 230V ~ 50/60Hz XXXXW  
Robert Bosch GmbH, D-70745, Leinfelden 20xx

9



## Product Specification

<b>Lawnmower</b>	<b>ROTAK 320</b>	
Part number	3 600 H85 ..	
Rated power	[W]	1000
Blade width	[cm]	32
Height of cut	[mm]	20–60
Grassbox capacity	[l]	28
Weight	[kg]	7.0
Protection class	□ / II	
Serial Number	See rating details on machine	

## Intended Use

This machine is intended for domestic lawn mowing. Intended Use is related to operation within 0 °C and 40 °C ambient temperature.

## Introduction

This manual gives instructions on the correct assembly and safe use of your machine. It is important that you read these instructions carefully.

When fully assembled the machine weighs approximately 7 kg. If necessary, obtain assistance to remove from packaging.

Take care when carrying the mower to the lawn, as the blades are sharp.

## Delivered Items

Carefully remove the machine from its packaging and check that you have all the following items:

- Lawnmower with handle assembly
- 2 Handle bottoms
- 2 Bolts
- 2 Wing nuts
- 2 Screws
- 2 Grassbox halves
- 2 Cable clips
- Operating instructions

When parts are missing or damaged, please contact your dealer.

## Operating Controls

- 1 Switch lever
- 2 Safety button
- 3 Handle top
- 4 Mains plug\*\*
- 5 Cable restraint\*\*
- 6 Grassbox
- 7 Deflector guard
- 8 Handle bottom
- 9 Serial Number
- 10 Wheels
- 11 Ventilation slots
- 12 Height of cut indicator

\*\*Country specific

**Not all of the accessories illustrated or described are included as standard delivery.**



## For Your Safety

**Warning! Switch off, remove plug from mains before adjusting, cleaning or if cable is cut, damaged or entangled.**

**The blades continue to rotate for a few seconds after the machine is switched off.**

**Caution – do not touch rotating blades.**

## Electrical Safety

Your machine is double insulated for safety and requires no earth connection. The operating voltage is 230 V AC, 50 Hz (for non-EU countries 220 V, 240 V as applicable). Only use approved extension cables. Contact your service agent for details.

Extension cords/leads should only be used if they comply with H05VV-F or H05RN-F types.

It is recommended for increased electrical safety to use a Residual Current Device (RCD) with a tripping current of not more than 30 mA. Always check your RCD every time you use it.

## For products not sold in GB:

**B** WARNING: For safety, it is essential that the mains plug 4 attached to the machine is fitted to the power supply cable 14.

The couplings of connection leads must be protected against splashes and the coupling sockets on the leads must be made of rubber or coated with rubber.

Fixing means for the connection leads must be used.

The power cord must be inspected for signs of damage at regular intervals and may only be used if in perfect condition.

If the power cord is damaged, it must be replaced by a Bosch Service Centre.

Products sold in **GB** only: Your machine is fitted with an approved 13 A (BS 1363/A) electric plug and is protected by a 13 A fuse (ASTA Approved to BS 1362).

If the fitted plug is not suitable for your socket outlets, it should be cut off and an appropriate plug fitted in its place by an authorized customer service agent.

The severed plug must be disposed of to avoid a possible shock hazard and should never be inserted into a 13 A socket elsewhere.

## Assembly

### A

- 1 Insert the handle bottom **8** into the holes provided and
- 2 Secure with the screws.
- 3 Attach the handle top **3** with the bolts and wing nuts **13** to the handle bottom **8**.

Note: The handle top **3** is height adjustable. Fix handles in desired position **I** or **II**.

Note: Ensure that the cable clips supplied are used to fix the cable to the handle.

- 3 Attach cable to cable restraint **5** ensuring that sufficient cable slack is available. (non GB models)
- Snap together both top and bottom half of the grassbox.

Ensure the cables are not trapped when folding/unfolding top handles. **Do not drop the handles.**

## D Grassbox

### Fitting

Lift the deflector guard **7** and hold up, fit the grassbox **6**.

### Removing/Emptying

Lift the deflector guard **7** and hold up. Remove grassbox **6**.

For non grass collection the mower can be used without the grassbox **6** in position, with the deflector guard **7** in the down position.

## G Adjusting the Cutting Height



**Stop, release switch lever and wait until the motor stops before adjusting height. The blades continue to rotate for a few seconds after the machine is switched off, a rotating blade can cause injury.**

For the first cut of the season, a high cutting adjustment should be selected.

Your machine has three settings that result to the following cutting heights.

I = 20   II = 40   III = 60

Remove the grassbox to aid adjustment (see Grassbox).

Lift the mower,

TIP: The front wheel has a height of cut indicator **12** which shows the position of the wheels. Move this wheel first, then repeat for each wheel **10**.

- 1 Pull/push the wheel to the front of the mower using the hand positioned on the wheels.
- 2 Raise/lower the wheel.
- 3 Allow wheel to locate in desired position.

Make sure that all wheels are set to the same height.

## E Starting and Stopping



**The blade continues to rotate for a few seconds after the machine is switched off. Allow the motor/blade to stop rotating before switching "on" again. Do not rapidly switch off and on.**

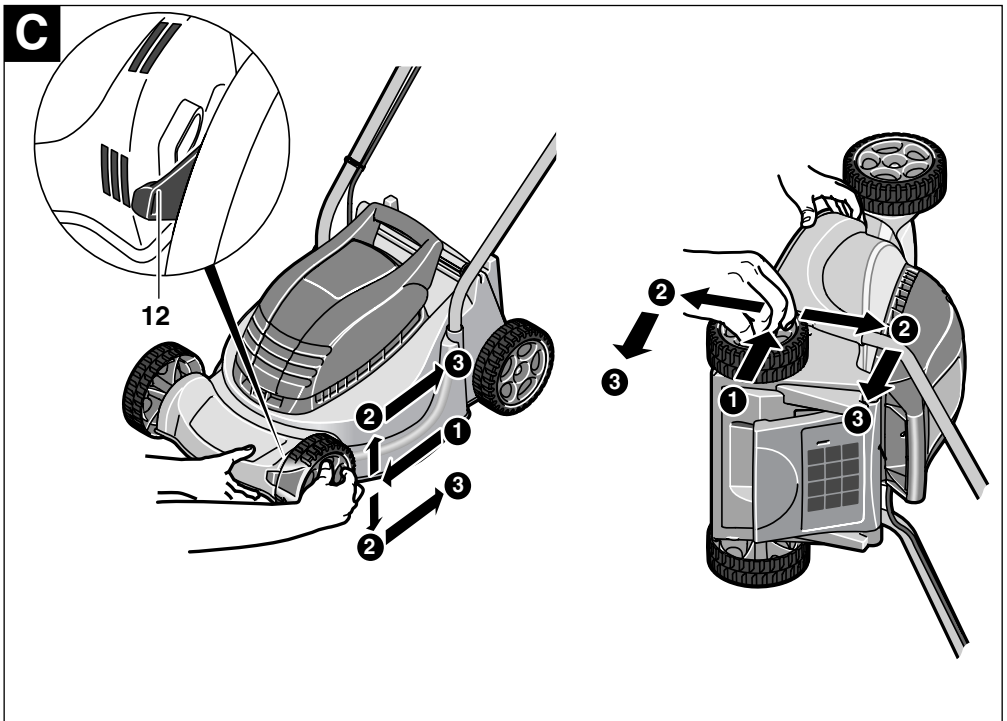
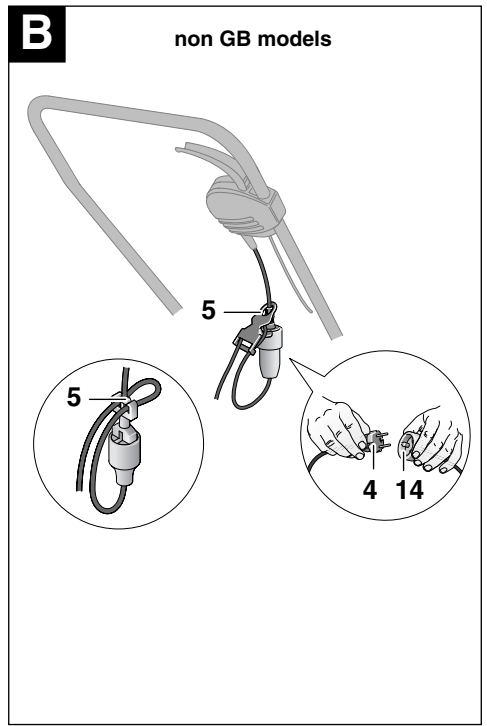
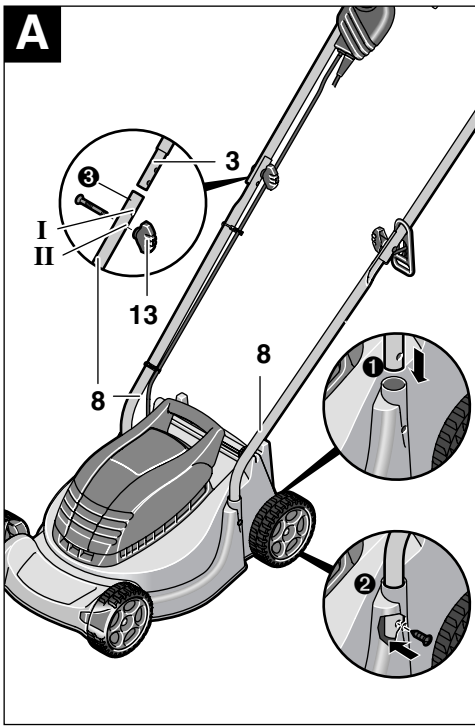
### Starting:

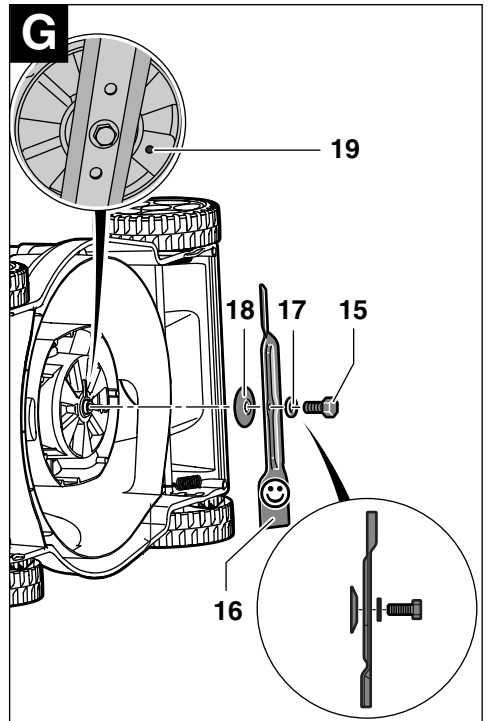
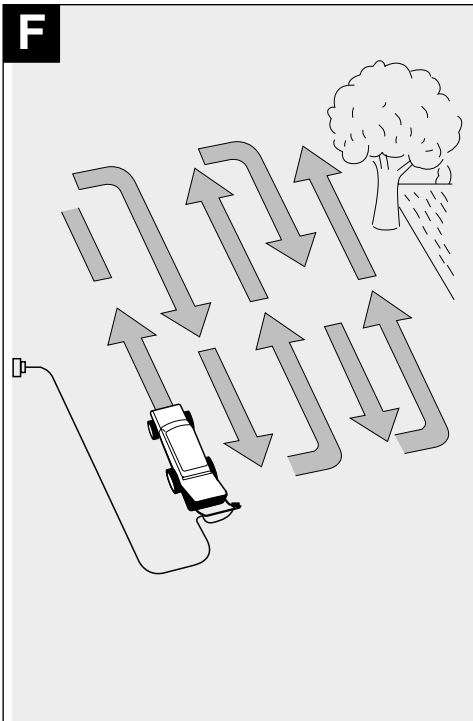
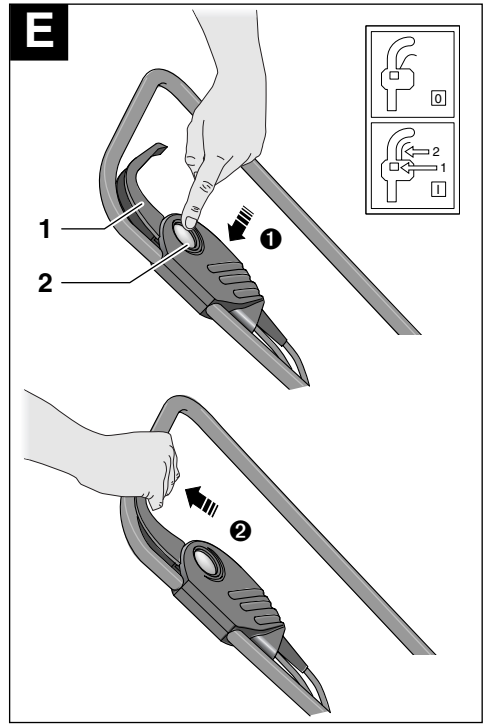
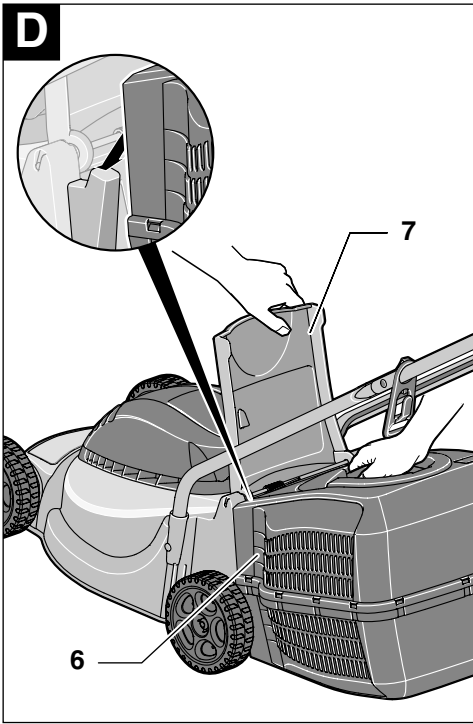


- 1 Press and hold the safety button **2**.
  - 2 Squeeze the switch lever **1** towards the handle.
- Release the safety button **2**.

### Stopping:

Release the switch lever **1**.






## Mowing

**F** Place the machine on the edge of the lawn, as close to the power point as possible. Work away from the power point. Then at right angles.

Position the cable to opposite side (already cut) at the end of each turn.

 When mowing **do not allow the motor to labour** particularly in heavy conditions. When the motor labours the speed of the motor drops and you will hear a change in the motor sound, when this occurs stop mowing, release the switch lever and **raise the height of cut**. Failure to do so could damage the machine.

**NOTE:** The motor is protected by a safety cut out which is activated when the blade becomes jammed or if the motor is overloaded. **When this occurs stop, remove the plug from the power supply. The safety cut out will only reset when the switch lever 1 is released. Clear any obstruction and wait for a few minutes for the safety cut out to reset before continuing to use the mower. At this time do not operate the switch lever 1 as this will prolong the reset time of the safety cut out. If the mower cuts out again increase the height of cut to reduce the load on the motor.**

## Maintenance

 **Stop, remove plug from the power supply and remove the grassbox.**

Note: To ensure long and reliable service, carry out the following maintenance regularly.

Regularly check for obvious defects such as loose, dislodged or damaged blade, loose fixings, and worn or damaged components.

Check that covers and guards are undamaged and correctly fitted. Carry out necessary maintenance or repairs before using.

If the machine should happen to fail despite the care taken in manufacture and testing, repair should be carried out by an authorised customer service agent for Bosch garden products.

For all correspondence and spare parts orders, always include the 10-digit part number (TYP) from the nameplate of the machine!

## G Blade Maintenance

 **Stop, remove plug from the power supply and remove the grassbox.**

Turn the machine on its right side and inspect the blade and fan; if blunt or damaged, replace.

Use the following procedure to remove and replace the blade. Hold the blade **16** using gardening gloves (not provided) use a spanner (not provided) to remove the blade bolt **15**, blade washer **17**, bevel washer **18** and blade. Fit the bevel washer, blade, blade washer and the blade bolt. Ensure that the blade is the correct way up (so that this ☺ symbol can be seen located as in figure **G**) and tighten the bolt firmly.

In the event of a blade becoming difficult to remove or fit, insert a screwdriver into hole **19** to lock the drive. Ensure the screwdriver is removed before attempting to turn the machine on.


## After Mowing/Storage

Clean the exterior of the machine thoroughly using a soft brush and cloth. Do not use water, solvents or polishes. Remove all grass and debris, especially from the ventilation slots **11**.

Turn the machine on its side and clean the blade area. If grass cuttings are compacted in the blade area, remove with a wooden or plastic implement.

Store the machine in a dry place. Do not place other objects on top of the machine.

To aid storage loosen the wing nuts **13** and fold the handles.

 Ensure cables are not trapped when folding/unfolding top handles, **do not drop the handles**.

## Fault Finding

The following table gives checks and actions that you can perform if your machine does not operate correctly. If these do not identify/remedy the problem, contact your service agent.

**Warning: Switch off and remove plug from mains before investigating fault.**

Symptom	Possible Cause	Remedy
Machine fails to operate	Power turned off Mains socket faulty Extension cable damaged Fuse faulty/blown Mower in long grass Motor protector has activated  Safety cut out has activated	Turn power on Use another socket Inspect cable, replace if damaged Replace fuse Increase height of cut and tilt mower Allow to cool and increase height of cut Allow to cool for a few minutes and increase height of cut At this time do not operate the switch lever <b>1</b> as this will prolong the reset time of the safety cut out
Machine functions intermittently	Extension cable damaged Machines internal wiring damaged Motor protector has activated  Safety cut out has activated	Inspect cable, replace if damaged Contact Service Agent Allow to cool and increase height of cut Allow to cool for a few minutes and increase height of cut At this time do not operate the switch lever <b>1</b> as this will prolong the reset time of the safety cut out
Machine leaves ragged finish or motor labours	Height of cut too low  Cutting blade blunt  Underside of machine badly clogged  Blade fitted upside down	Increase height of cut (see "Height of Cut Adjustment") Replace blade (see "Blade Maintenance") Clean machine (see "After Mowing/Storage") Refit blade correctly (see "Blade Maintenance")
Cutting blade not rotating	Cutting blade obstructed Blade nut/bolt loose	Clear obstruction Tighten blade nut/bolt
Excessive vibration/noise	Blade nut/bolt loose Cutting blade damaged	Tighten blade nut/bolt Replace blade.

## Disposal

Product, accessories and packaging should be sorted for environmental-friendly recycling.

### Only for EC countries:



Do not dispose of the product into household waste!

According to the European Directive 2002/96/EC on waste electrical and electronic equipment and its incorporation into national law, products that

are no longer suitable for use must be separately collected and sent for recovery in an environmentally-friendly manner.

## Service

Exploded views and information on spare parts can be found under:

[www.bosch-pt.com](http://www.bosch-pt.com)

### Great Britain

Robert Bosch Ltd. (B.S.C.)

P.O. Box 98

Broadwater Park

North Orbital Road

Denham-Uxbridge

Middlesex UB 9 5HJ

☎ Service ..... +44 (0) 18 95 / 83 87 82

Fax Service ..... +44 (0) 18 95 / 83 87 89

☎ Advice line ..... +44 (0) 18 95 / 83 87 91

Fax Advice ..... +44 (0) 18 95 / 83 87 93

### Ireland

Beaver Distribution Ltd.

Greenhills Road

Tallaght-Dublin 24

☎ Service ..... +353 (0)1 / 45 15 211

Fax ..... +353 (0)1 / 45 17 127

### Malaysia

Robert Bosch (SEA.) Pte. Ltd.

No. 8a, Jalan 13/6

Selangor Darul Ehsan

Petaling Jaya 46200

Malaysia

☎ ..... +60 3 79 58 30 00

Fax (EW Dept.) ..... +60 3 79 58 38 38

[www.bosch.com.sg](http://www.bosch.com.sg)

## Australia

Robert Bosch Australia Ltd.

RBAU/SPT2

1555 Centre Road

P.O. Box 66 Clayton

3168 Clayton/Victoria

☎ ..... +61 (0)1 / 800 804 777

Fax ..... +61 (0)1 / 800 819 520

[www.bosch.com.au](http://www.bosch.com.au)

E-Mail: [CustomerSupportSPT@au.bosch.com](mailto:CustomerSupportSPT@au.bosch.com)

## New Zealand

Robert Bosch Limited

14-16 Constellation Drive

Mairangi Bay

Auckland

New Zealand

☎ ..... +64 (0)9 / 47 86 158

Fax ..... +64 (0)9 / 47 82 914

## Declaration of Conformity

Measured values determined according to 2000/14/EC (1.60 m height, 1 m distance away) and ISO 5349.

Typically the A-weighted noise level of the product is: sound pressure level 82 dB (A); sound power level 92 dB (A).

The typical hand/arm vibration is below 2.5 m/s<sup>2</sup>.

We declare under our sole responsibility, that this product is in conformity with the following standards or standardization documents: EN 60 335, EN 60335-2-77 according to the provisions of the directives 89/336/EEC, 98/37/EC, 2000/14/EC.

2000/14/EC: The guaranteed sound power level  $L_{WA}$  is lower than 94. Conformity assessment procedure according to Annex VI.

Notified body: SRL, Sudbury England

Notified body identifications number: 1088

Leinfelden, 01.09.2004.

Dr. Egbert Schneider  
Senior Vice President  
Engineering

Dr. Eckerhard Strötgen  
Head of Product  
Certification

Robert Bosch GmbH, Power Tools Division

**Subject to change without notice**



## Safety Notes

**Warning! Read these instructions carefully, be familiar with the controls and the proper use of the lawnmower. Please keep the instruction safe for later use.**

### Explanation of symbols on the lawnmower



General hazard safety alert.



Read instruction manual.



Beware of thrown or flying objects to bystanders.



Keep bystanders a safe distance away from the machine.



Switch off and remove plug from mains before adjusting, cleaning or if the cable is entangled and before leaving the lawnmower unattended for any period. Keep the supply flexible cord away from the cutting blades.



Sharp blade(s). Beware of severing toes or fingers.



Wait until all machine components have completely stopped before touching them. The blades continue to rotate after the machine is switched off, a rotating blade can cause injury.



Do not mow in the rain or leave the lawnmower outdoors whilst it is raining.

- Never allow children or people unfamiliar with these instructions to use the lawnmower. Local regulations may restrict the age of the operator.
- Never mow while people, especially children or pets, are nearby.
- The operator or user is responsible for accidents or hazards occurring to other people or their property.
- Do not operate the lawnmower when barefoot or wearing open sandals, always wear substantial footwear and long trousers.
- Thoroughly inspect the area where the lawnmower is to be used and remove all stones, sticks, wires, bones and other foreign objects.
- Before using, always visually inspect to see that the blades, blade bolts and cutter assembly are not worn or damaged.
- Replace worn or damaged blades and bolts in sets to preserve balance.

- Mow only in daylight or in good artificial light.
- Avoid operating the lawnmower in wet grass, where feasible.
- Walk, never run.
- **Mowing on banks can be dangerous:**
  - Do not mow excessively steep slopes.
  - Always be sure of your footing on slopes or wet grass.
  - Mow across the face of slopes – never up and down.
  - Exercise extreme caution when changing direction on slopes.
  - Use extreme caution when stepping back or pulling the lawnmower towards you. Never mow by pulling the mower towards you.
- Stop the blades if the lawnmower has to be tilted for transportation when crossing surfaces other than grass and when transporting the lawnmower to and from the area to be mowed.
- Do not tilt the machine when starting or switching on the motor, except if the machine has to be tilted for starting in long grass. In this case, do not tilt it more than absolutely necessary and tilt only the part which is away from the operator. Always ensure that both hands are in the operating position before returning the machine to the ground.
- Switch on the lawnmower with feet well away from the blades.
- Do not put hands or feet near or under rotating parts.
- Never operate the lawnmower without the grassbox/bag or deflector guard in position.
- Never operate the lawnmower with a defective deflector guard or defective grassbox.
- Never pick up or carry the lawnmower while the motor is running.
- **Remove the plug from the socket:**
  - whenever you leave the machine
  - before clearing a blockage
  - before checking, cleaning or working on the lawnmower
  - after striking a foreign object. Inspect the lawnmower for damage and make repairs as necessary
  - if the lawnmower starts to vibrate abnormally (check immediately).
- Keep all nuts, bolts and screws tight to be sure that the lawnmower is in safe working condition.
- Check the grassbox/bag frequently for wear or deterioration.
- Replace worn or damaged parts for safety.
- Ensure replacement parts fitted are Bosch approved.

Operating instructions



**BOSCH**

# ROTAK 320

English

