

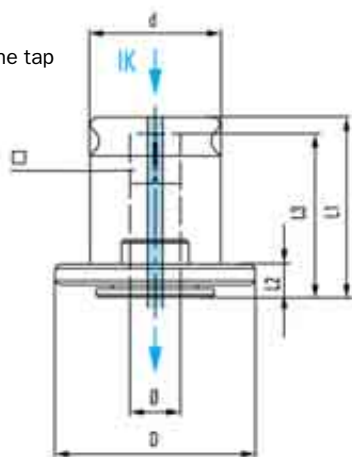
TAPMATIC Quick Change Tap Adaptors DIN/ISO Positive Drive

Features

- Positive drive
- Right and left hand tapping
- Internal coolant system through the tap

Application

For tap chucks TA, TIC, TIM and NC



Model	Capacity	Dimensions (mm)			
		D	L1	d	L2
T0	M1.0 — M10	22	26.5	13	7
T1	M3.0 — M14	30	28.5	19	7
T2	M4.5 — M24	48	46.0	31	11
T3	M14 — M36	70	68.5	48	14
T4	M22 — M48	92	105.0	60	42

Model T0

Tap	Shank-Ø x Sq		Standard	L3	Weight each	Order code TAP-146	Offer Price/1
M1.0	2.50	2.10	DIN371	20		-8000A	£19.50
M2.0	2.80	2.10	DIN371	20		-8001B	£19.50
M2.5	2.80	2.10	DIN371	20		-8002C	£19.50
M2.6	2.80	2.24	ISO529	20		-8003D	£19.50
M3.0	2.24	1.80	ISO529	19		-8004E	£19.50
M3.0	3.15	2.50	ISO529	20		-8005F	£19.50
M3.0	3.50	2.70	DIN371	21		-8006G	£19.50
M3.5	3.55	2.80	ISO529	20		-8007H	£19.50
M3.5	4.00	3.00	DIN371	21		-8008J	£19.50
M4.0	2.80	2.10	DIN376	20		-8009K	£19.50
M4.0	4.50	3.40	DIN371	21		-8010L	£19.50
M4.0	4.00	3.15	ISO529	21		-8011M	£19.50
M4.5	4.50	3.55	ISO529	21		-8012N	£19.50
M5.0	3.50	2.70	DIN376	21		-8013P	£19.50
M5.0	5.00	4.00	ISO529	22		-8014Q	£19.50
M5.0	6.00	4.90	DIN371	23		-8015R	£19.50
M6.0	4.50	3.40	DIN376	21		-8016S	£19.50
M6.0	6.00	4.90	DIN371	23		-8017T	£19.50
M6.0	6.30	5.00	ISO529	23		-8018V	£19.50
M7.0	5.60	4.50	ISO529	23		-8019W	£19.50
M7.0	7.10	5.60	ISO529	23		-8020X	£19.50
M8.0	6.00	4.90	DIN376	23		-8021Y	£19.50
M8.0	8.00	6.20	DIN371	24		* -8022Z	£31.50
M8.0	8.00	6.30	ISO529	24		* -8023M	£31.50
M10	7.00	5.50	DIN376	23		* -8024N	£19.50

Model T1

Tap	Shank-Ø x Sq		Standard	L3	Weight each	Order code TAP-146	Offer Price/1
M3,5	3,55	2,8	ISO529	22		-8100A	£20.00
M3,5	4	3	DIN371	23		-8101B	£20.00
M4	4,5	3,4	DIN371	23		-8102C	£20.00
M4	4	3,15	ISO529	23		-8103D	£20.00
M4,5	4,5	3,55	ISO529	23		-8104E	£20.00
M5	3,5	2,7	DIN376	23		-8105F	£20.00
M5	5	4	ISO529	24		-8106G	£20.00
M5	6	4,9	DIN371	25		-8107H	£20.00
M6	4,5	3,4	DIN376	23		-8108J	£20.00
M6	6	4,9	DIN371	25		-8109K	£20.00
M6	6,3	5	ISO529	25		-8110L	£20.00
M7	5,6	4,5	ISO529	25		-8111M	£20.00
M7	7,1	5,6	ISO529	25		-8112N	£20.00
M8	6	4,9	DIN376	25		-8113P	£20.00
M8	8	6,2	DIN371	26		-8114Q	£20.00
M8	8	6,3	ISO529	26		-8115R	£20.00
M10	7	5,5	DIN376	25		-8116S	£20.00
M10	10	8	DIN371	28		-8117T	£20.00
M12	9	7	DIN376	27		-8118V	£20.00
M12	9	7,1	ISO529	27		-8119W	£20.00
M14	11	9	DIN376	28		-8120X	£20.00
M14	11,2	9	ISO529	28		-8121Y	£20.00
M16	12	9	DIN376	28		* -8122Z	£31.50
M16	12,5	10	ISO529	28		* -8123M	£31.50

* For light duty only

Model T2

Tap	Shank-Ø x Sq		Standard	L3	Weight each	Order code TAP-146	Offer Price/1
M5	6.0	4.9	DIN371	38		-8200A	£27.50
M6	6.0	4.9	DIN371	38		-8201B	£27.50
M6	6.3	5.0	ISO529	38		-8202C	£27.50
M7	7.1	5.6	ISO529	38		-8203D	£27.50
M8	6.0	4.9	DIN376	38		-8204E	£27.50
M8	8.0	6.2	DIN371	39		-8205F	£27.50
M8	8.0	6.3	ISO529	39		-8206G	£27.50
M10	7.0	5.5	DIN376	38		-8207H	£27.50
M10	10.0	8.0	DIN371	41		-8208J	£27.50
M12	9.0	7.0	DIN376	40		-8209K	£27.50
M12	9.0	7.1	ISO529	40		-8210L	£27.50
M14	11.0	9.0	DIN376	42		-8211M	£27.50
M14	11.2	9.0	ISO529	42		-8212N	£27.50
M16	12.0	9.0	DIN376	42		-8213P	£27.50
M16	12.5	10.0	ISO529	43		-8214Q	£27.50
M18	14.0	11.0	DIN376	44		-8215R	£27.50
M18	14.0	11.2	ISO529	44		-8216S	£27.50
M20	14.0	11.2	ISO529	44		-8217T	£27.50
M20	16.0	12.0	DIN376	45		-8218V	£27.50
M22	16.0	12.5	ISO529	46		-8219W	£27.50
M22	18.0	14.5	DIN376	47		-8220X	£27.50
M24	18.0	14.0	ISO529	48		-8221Y	£27.50
M24	18.0	14.5	DIN376	47		-8222Z	£27.50
M27	20.0	16.0	DIN376	45		* -8223M	£41.50
M30	22.0	18.0	DIN376	47		* -8224N	£41.50
M33	22.4	18.0	ISO529	52		* -8225P	£41.50

Model T3

Tap	Shank-Ø x Sq		Standard	L3	Weight each	Order code TAP-146	Offer Price/1
M14	11.0	9.0	DIN376	56		-8300A	£56.00
M14	11.2	9.0	ISO529	56		-8301B	£56.00
M16	12.0	9.0	DIN376	56		-8302C	£56.00
M16	12.5	10.0	ISO529	57		-8303D	£56.00
M18	14.0	11.0	DIN376	58		-8304E	£56.00
M18	14.0	11.2	ISO529	58		-8305F	£56.00
M20	14.0	11.2	ISO529	58		-8306G	£56.00
M20	16.0	12.0	DIN376	59		-8307H	£56.00
M22	16.0	12.5	ISO529	60		-8308J	£56.00
M22	18.0	14.5	DIN376	61		-8309K	£56.00
M24	18.0	14.0	ISO529	62		-8310L	£56.00
M24	18.0	14.5	DIN376	61		-8311M	£56.00
M27	20.0	16.0	DIN376	63		-8312N	£56.00
M30	22.0	18.0	DIN376	65		-8313P	£56.00
M33	22.4	18.0	ISO529	66		-8314Q	£56.00
M33	25.0	20.0	DIN376	67		-8315R	£56.00
M36	28.0	22.0	DIN376	69		-8316S	£56.00
M37	28.0	22.4	ISO529	70		-8317T	£56.00
M39	32.0	24.0	DIN376	71		* -8318V	£67.50
M42	32.0	24.0	DIN376	71		* -8319W	£67.50
M44	31.5	25.0	ISO529	72		* -8320X	£67.50
M45	36.0	29.0	DIN376	76		* -8321Y	£67.50
M48	36.0	29.0	DIN376	76		* -8322Z	£67.50

Model T4

Tap	Shank-Ø x Sq		Standard	L3	Weight each	Order code TAP-146	Offer Price/1
M22	18.0	14.5	DIN376	88		-8400A	£124.00
M24	18.0	14.0	ISO529	89		-8401B	£124.00
M24	18.0	14.5	DIN376	88		-8402C	£124.00
M27	20.0	16.0	DIN376	90		-8403D	£124.00
M30	22.0	18.0	DIN376	92		-8404E	£124.00
M33	22.4	18.0	ISO529	93		-8405F	£124.00
M33	25.0	20.0	DIN376	95		-8406G	£124.00
M36	28.0	22.0	DIN376	96		-8407H	£124.00
M37	28.0	22.4	ISO529	97		-8408J	£124.00
M39	32.0	24.0	DIN376	98		-8409K	£124.00
M42	32.0	24.0	DIN376	98		-8410L	£124.00
M44	31.5	25.0	ISO529	99		-8411M	£124.00
M45	36.0	29.0	DIN376	103		-8412N	£124.00
M48	36.0	29.0	DIN376	103		-8413P	£124.00